

व्यावसायिक तकनीकी विस्तार परीक्षण रिपोर्ट
COMMERCIAL - TECHNICAL EXTENSION
(Test Report)

संख्या / No. : T-1455/1982/2020

माह / Month : July, 2020



NEW HOLLAND, 3037 TRACTOR



सत्यमेव जयते

भारत सरकार

कृषि एवं किसान कल्याण मंत्रालय
कृषि, सहकारिता एवं किसान कल्याण विभाग
मशीनीकरण एवं प्रौद्योगिकी प्रभाग

GOVERNMENT OF INDIA

MINISTRY OF AGRICULTURE AND FARMERS WELFARE

(DEPARTMENT OF AGRICULTURE, CO-OPERATION & FARMERS WELFARE, MECHANIZATION & TECHNOLOGY DIVISION)

केन्द्रीय कृषि मशीनरी प्रशिक्षण एवं परीक्षण संस्थान

ट्रैक्टर नगर, बुदनी (म.प्र.) ४६६ ४४५

CENTRAL FARM MACHINERY TRAINING & TESTING INSTITUTE

(An ISO : 9001 - 2015 Certified Institute)

Tractor Nagar, Budni (M.P.) 466 445

E-mail fmti-mp@nic.in Website : <http://www.fmttibudni.gov.in> Telephone : 07564 - 234729, 234743



2. ESSENTIAL TESTS

2.1. SPECIFICATIONS

2.1.1 Tractor:

Make	: New Holland
Model	: 3037
Brand name	: New Holland
Variants, if any	: None
Type	: Four wheeled, rear wheel driven, general purpose, agricultural tractor.
Month & year of manufacture	: 02 18
1 st chassis number	: B48171
Chassis Serial number	: NHN30370ZJB416095
Country of Origin	: India

2.1.2 Engine:

Make	: Simpson
Model	: T III A S325/NH.2F1.4
Type	: Four stroke, naturally aspirated, Water cooled, direct injection, diesel engine.
Serial number	: S325 J07177
Year of manufacture	: 2016
Engine speed (Manufacturer's recommended production setting), (rpm) :	
- Maximum speed at no load	: 2150 to 2200
- Low idle speed	: 600 to 800
- Speed at max. torque	: 1200 to 1500
Rated speed, (rpm):	
- For PTO use	: 2000
- For drawbar use	: 2000

2.1.3 Cylinder & Cylinder Head:

Number	: Three
Disposition	: Vertical, Inline
Bore/stroke, (mm)	: 91.4/127 (apa)
Capacity as specified by the applicant, (cc)	: 2500
Compression ratio, (apa)	: 18.5±0.3:1
Type of cylinder head	: Mono block
Type of cylinder liners	: Dry, replaceable
Type of combustion chamber	: Torroidal cavity on piston crown head
Arrangement of valves	: Overhead inline
Valve clearance (Cold/hot):	
- Inlet valve, (mm)	: 0.30 / 0.25
- Exhaust valve, (mm)	: 0.30 / 0.25

2.1.4 Fuel System:

Type of fuel feed system	: Gravity and forced feed
--------------------------	---------------------------

2.1.4.1 Fuel tank:

Capacity, (l)	: 44.70
Location	: Above clutch housing
Provision for draining of sediments/ water	: Not provided
Material of fuel tank	: Crossed link poly ethylene

2.1.4.2 Water separator	: Not provided
-------------------------	----------------

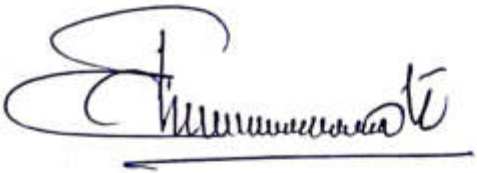


6. CITIZEN CHARTER

Time frame for Testing & Evaluation as per Citizen Charter	Duration of Test	Whether the Test Report is released within the time frame given in Citizen Charter	Remarks
10 Months	01 Month (June, 2020)	Yes	--None--

TESTING AUTHORITY:


C.S.RAGHUWANSHI
AGRICULTURAL ENGINEER



C.V. CHIMOTE
TEST ENGINEER



J.J.R. NARWARE
DIRECTOR

Test report compiled by Sh. Shiv Kumar Sharma (Senior Technical Assistant).

7. APPLICANT COMMENT'S

--- None ---

ANNEXURE - I**TRACTOR RUN HOURS DURING TEST**

A.	LABORATORY AND TRACK TESTS:	HOURS
1.	Running-in	--
2.	Nominal speed test	0.5
3.	Turning ability & steering effort	1.0
B.	Miscellaneous test and other run hours, including idle run transportation, trial and preparation for test.	0.5
	Total	2.0

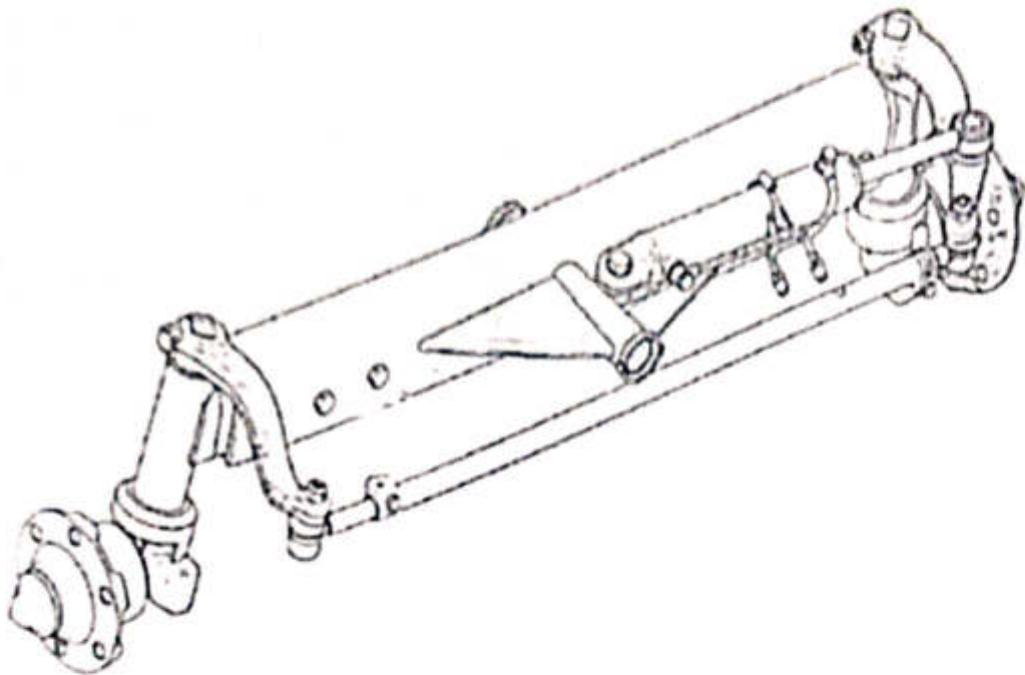
ANNEXURE - II**PARTS FOR DELETION OF STANDARD FITMENT**

Sr. No.	Part Number	Part Name	Quantity
1.	992626300001	Steering Wheel	01
2.	991748230005	Hydraulic Pump	02
3.	992746310002	PS Motor & Steering Column 30 Series	01
4.	580745800008	Front Axle Adjustable 2WD	01
5.	580745820005	Front Axle Steering Knuckle	02
6.	992746350001	Cylinder Power Steering	01
6.	992306240001	Steering Rods	01
7.	73300828	Differential Lock	01
8.	---	Rear Tyre Size - 13.6-28	02
9.	---	Rear Wheel Rim W12 X28	02

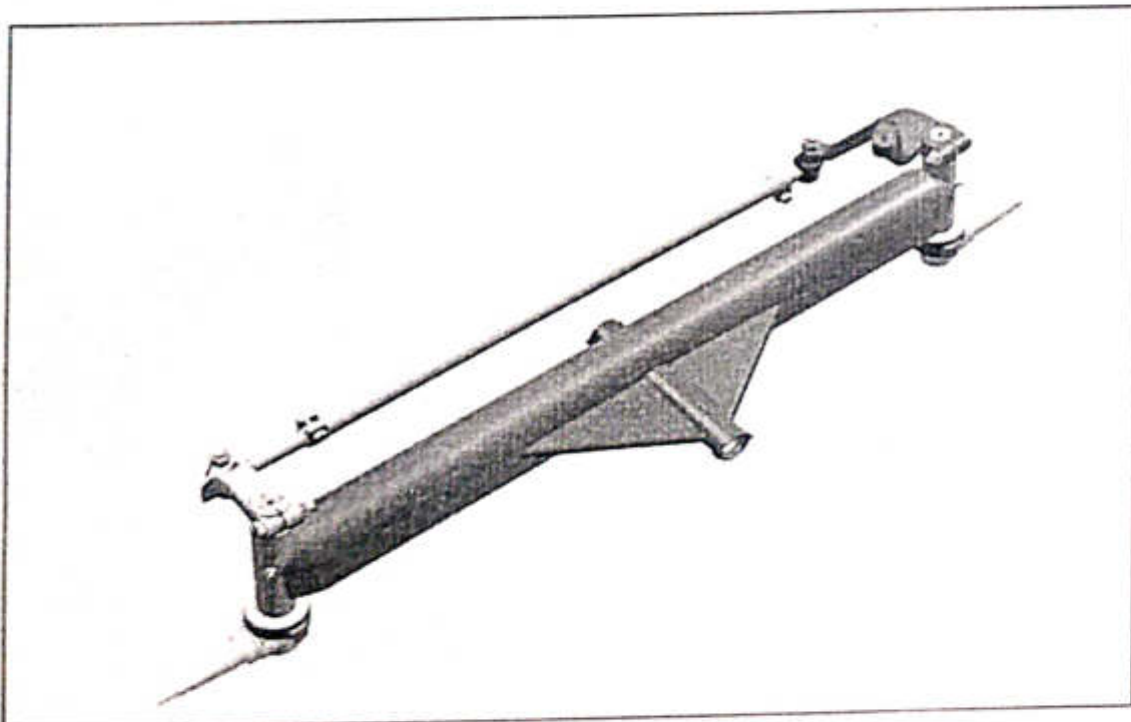
PARTS FOR ADDITION OF OPTIONAL FEATURES

Sr. No.	Part Number	Part Name	Quantity
1.	82822718	Steering Wheel	01
2.	991748230001	Hydraulic pump	01
3.	580745800001	2WD front axle	01
4.	580745820001	Front axle steering knuckle	02
5.	991746230001	Steering arms	02
6.	992746240002	Steering rods	01
7.	---	Rear tyre size - 12.4-28	02
8.	--	Rear wheel rim W11 x28	02

Annexure -III



TYPE OF FRONT AXLE (TELESCOPIC) :- STANDARD FITMENT



TYPE OF FRONT AXLE (FIXED TYPE):- OPTIONAL FITMENT